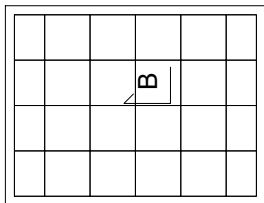
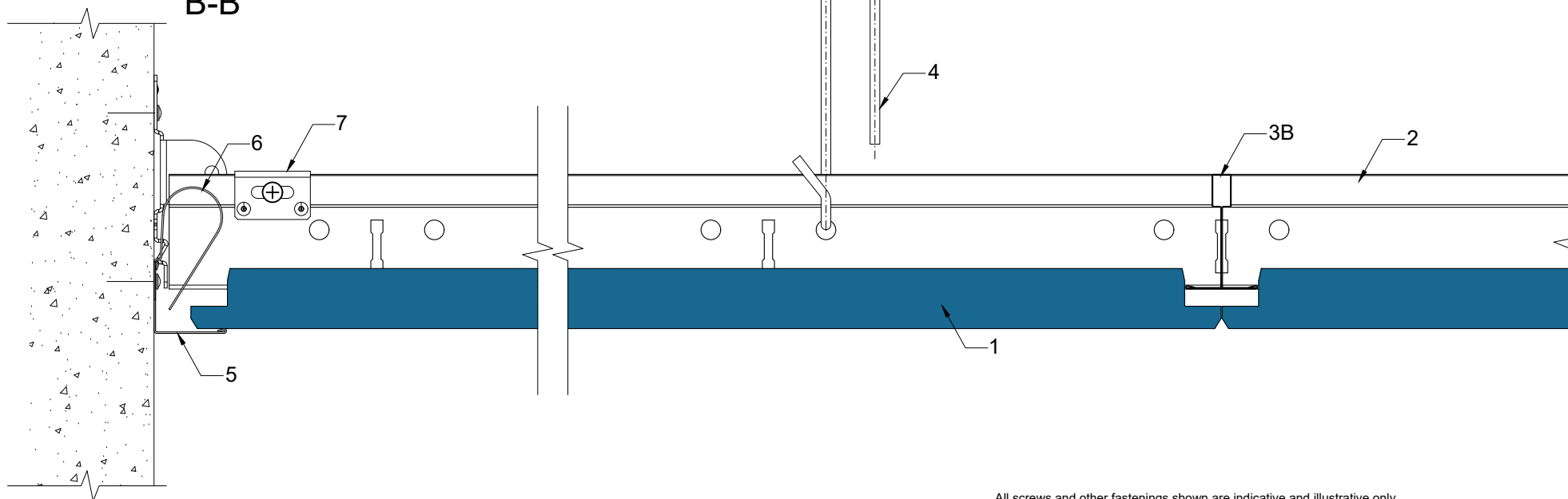


B



B-B



1. Tile ROCKFON, edge Z
2. Mainrunner T24 C/H38 3600 white
- 3B. Cross Tee T24 C38 1200 white
4. Adjustable hanger
5. Wall spring FIXT
6. Wall and bridging bracket
7. Wall Angle 24/24 3050 white

All screws and other fastenings shown are indicative and illustrative only.
Specific fasteners should be chosen dependent on substrates and materials being used.

Information:

Rockfon system Z T24
Perimeter detail
Wall angle – X2 edge

We kindly draw your attention to the fact that the above drawings should be considered as guidelines and therefore are without responsibility on the part of Rockfon.

Date:

02-08-2022

Drawing No.:

SCA-01-T24-ZZ-13.2

Contact information:

info@rockfon.dk

Drawing Type:

TECHINCAL

Drawn by:

OPTS

Scale:

1:2

Revision No.:

1

